



SOLO SLIM

Harmonious in both form and illumination: The elegant Solo Slim can be integrated in any architecture thanks to its round shape and slender frame height. The jointless

surface and perfectly manufactured housing make Solo Slim an aesthetic and highly efficient light object suitable for office use.

FEATURES

- Height of frame only 53 mm with seamless surface, white or silver
- One-piece look aluminium housing, first-class workmanship makes for seamless surface
- Extremely even spread of light across the opal diffuser or microprismatic C-LED optics, suitable for application in offices
- Recessed ceiling luminaire with or without trim or especially recessed in concrete
- Ceiling mounted luminaire optional halo effect through indirect component [8 %]
- Pendant luminaire direct-indirect light emission [61%/39 %]
- Available with MyLights Tunable – enabling the colour temperature to be adjusted to align with daylight conditions
- LED board and optics replaceable

TECHNICAL DATA

Luminaire efficiency	up to 171 lm/W
Luminous flux of luminaire	1150 – 17'200 lm
Colour temperature	3000 K, 4000 K, 2700 – 6500 K
Colour Rendering Index [CRI]	Ra ≥ 80
Maintained luminous flux	L80 50'000 h
Protection class	I
Ingress Protection	IP40
Colour consistency	SDCM 3
Photobiological safety	Risk group 0, no risk

SPECIFICATIONS

- Up to 4 diameters depending on the mounting type: ca. 400 mm, 500 mm, 650 mm, 950 mm
- Standard-compliant C-LED optics according to EN 12464-1 with glare control: up to UGR < 16 and maximum luminance up to $L_{max} \geq 65^\circ \leq 3000 \text{ cd/m}^2$
- Operating unit integrated
- Dimmable digital DALI
- Suitable for emergency lighting [DC-compatible]
- Available with emergency unit
- Pendant tube 1 m long as standard; can be shortened on site
- Other types of pendant possible thanks to accessories [3 m can be shortened on site, surface mounted and pendant luminaire]
- IP44 kit optional

FIELDS OF APPLICATION

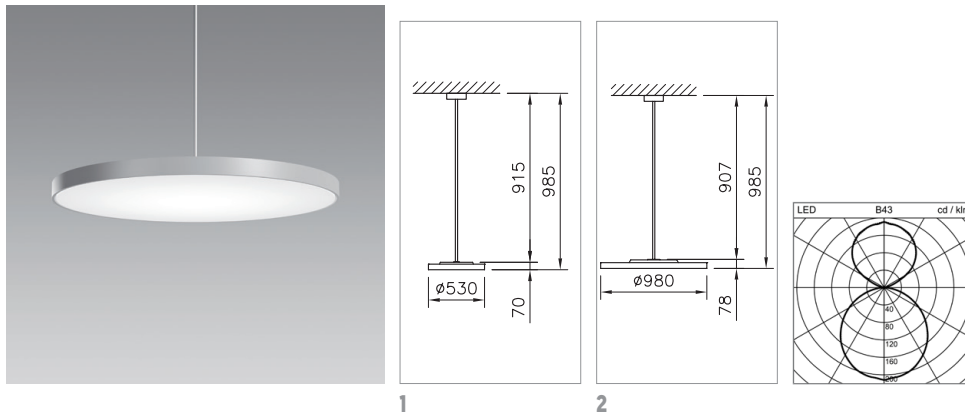
- Office & Education:** classrooms, meeting rooms, offices, cafeterias, foyers and lobbies, corridors, staircases
- Retail & Hospitality:** hotels, reception areas, circulation zones



230V IP40 IK07

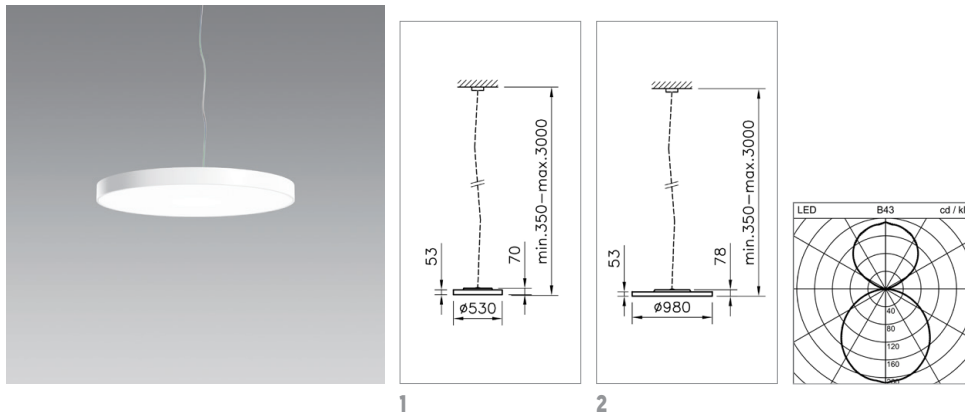


A+



PENDANT LUMINAIRE SOLO SLIM LED

Diameter	System power	Luminous flux of luminaire	Colour	Colour temperature	Light control	Notes	Ref. n°
530 mm	21 W	3300 lm	white	4000 K			1 1021.7158
530 mm	21 W	3050 lm	white	3000 K			1 1021.7156
530 mm	21 W	3300 lm	silver	4000 K			1 1021.6964
530 mm	21 W	3050 lm	silver	3000 K			1 1021.6962
530 mm	43 W	6500 lm	white	4000 K			1 1021.7164
530 mm	43 W	6000 lm	white	3000 K			1 1021.7162
530 mm	43 W	6500 lm	silver	4000 K			1 1021.6969
530 mm	43 W	6000 lm	silver	3000 K			1 1021.6967
530 mm	54 W	7700 lm	white	2700 – 6500 K	MyLights Remote	MyLights Tunable	1 1021.7160
530 mm	54 W	7700 lm	silver	2700 – 6500 K	MyLights Remote	MyLights Tunable	1 1021.6965
980 mm	49 W	8300 lm	white	4000 K			2 1021.7168
980 mm	49 W	7600 lm	white	3000 K			2 1021.7166
980 mm	49 W	8300 lm	silver	4000 K			2 1021.6973
980 mm	49 W	7600 lm	silver	3000 K			2 1021.6971
980 mm	101 W	15'600 lm	white	4000 K			2 1021.7172
980 mm	101 W	14'400 lm	white	3000 K			2 1021.7170
980 mm	101 W	15'600 lm	silver	4000 K			2 1021.6977
980 mm	101 W	14'400 lm	silver	3000 K			2 1021.6975



PENDANT LUMINAIRE SOLO SLIM OFFICE LED

Mounting kit for pendant suspension to be ordered separately

Diameter	System power	Luminous flux of luminaire	Colour	Colour temperature	Light control	Notes	Ref. n°
530 mm	21 W	3300 lm	white	4000 K			1 2004.4253
530 mm	21 W	3050 lm	white	3000 K			1 2004.4252
530 mm	21 W	3300 lm	silver	4000 K			1 2004.4235
530 mm	21 W	3050 lm	silver	3000 K			1 2004.4234
530 mm	43 W	6500 lm	white	4000 K			1 2004.4256
530 mm	43 W	6000 lm	white	3000 K			1 2004.4255
530 mm	43 W	6500 lm	silver	4000 K			1 2004.4238
530 mm	43 W	6000 lm	silver	3000 K			1 2004.4237
530 mm	54 W	7700 lm	white	2700 – 6500 K	MyLights Remote	MyLights Tunable	1 2004.4254
530 mm	54 W	7700 lm	silver	2700 – 6500 K	MyLights Remote	MyLights Tunable	1 2004.4236
980 mm	49 W	8300 lm	white	4000 K			2 2004.4258
980 mm	49 W	7600 lm	white	3000 K			2 2004.4257
980 mm	49 W	8300 lm	silver	4000 K			2 2004.4240
980 mm	49 W	7600 lm	silver	3000 K			2 2004.4239
980 mm	101 W	15600 lm	white	4000 K			2 2004.4260
980 mm	101 W	14400 lm	white	3000 K			2 2004.4259
980 mm	101 W	15600 lm	silver	4000 K			2 2004.4242
980 mm	101 W	14400 lm	silver	3000 K			2 2004.4241



MOUNTING SET SOLO

3 SUSPENSION CABLES PER MOUNTING POINT

for pendant mounting, without cable, $L_{max} = 3$ m, can be shortened on site

Notes	Ref. n°
3000 m	1000.3196



MOUNTING SET SOLO

WITH THREE MOUNTING POINTS

for pendant mounting, without cable, $L_{max} = 3$ m, can be shortened on site

Notes	Ref. n°
3000 m	1000.3193



CABLE SET SOLO SLIM LED

For pendant tube mounting, $L = 3$ m, can be shortened on site

Notes	Ref. n°
white	2004.7200
silver	2004.7198