



SOLO SLIM OFFICE

Harmonious in both form and illumination: The elegant Solo Slim can be integrated in any architecture thanks to its round shape and slender frame height. The jointless

surface and perfectly manufactured housing make Solo Slim an aesthetic and highly efficient light object suitable for office use.

FEATURES

- Height of frame only 53 mm with seamless surface, white or silver
- One-piece look aluminium housing, first-class workmanship makes for seamless surface
- Extremely even spread of light across the opal diffuser or microprismatic C-LED optics, suitable for application in offices
- Recessed ceiling luminaire with or without trim or especially recessed in concrete
- Ceiling mounted luminaire optional halo effect through indirect component [8 %]
- Pendant luminaire direct-indirect light emission [61%/39 %]
- Available with MyLights Tunable – enabling the colour temperature to be adjusted to align with daylight conditions
- LED board and optics replaceable

TECHNICAL DATA

Luminaire efficiency	up to 171 lm/W
Luminous flux of luminaire	1150 – 17'200 lm
Colour temperature	3000 K, 4000 K, 2700 – 6500 K
Colour Rendering Index [CRI]	Ra ≥ 80
Maintained luminous flux	L80 50'000 h
Protection class	I
Ingress Protection	IP40
Colour consistency	SDCM 3
Photobiological safety	Risk group 0, no risk

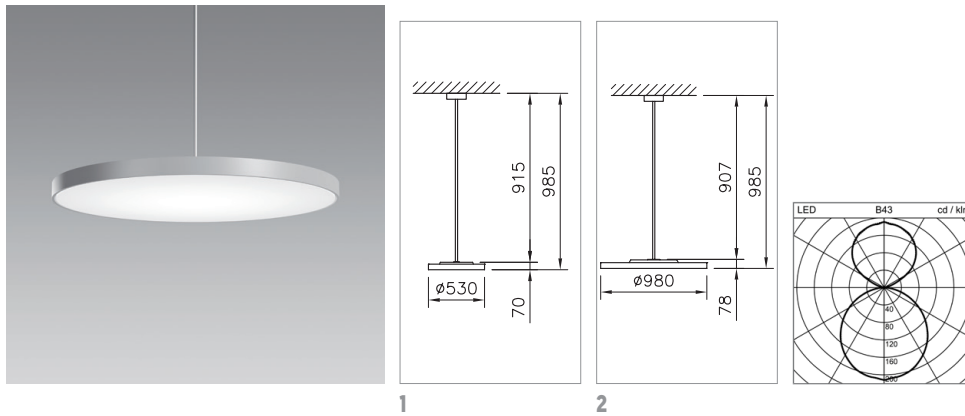
SPECIFICATIONS

- Up to 4 diameters depending on the mounting type: ca. 400 mm, 500 mm, 650 mm, 950 mm
- Standard-compliant C-LED optics according to EN 12464-1 with glare control: up to UGR < 16 and maximum luminance up to $L_{max} \geq 65^\circ \leq 3000 \text{ cd/m}^2$
- Operating unit integrated
- Dimmable digital DALI
- Suitable for emergency lighting [DC-compatible]
- Available with emergency unit
- Pendant tube 1 m long as standard; can be shortened on site
- Other types of pendant possible thanks to accessories [3 m can be shortened on site, surface mounted and pendant luminaire]
- IP44 kit optional

FIELDS OF APPLICATION

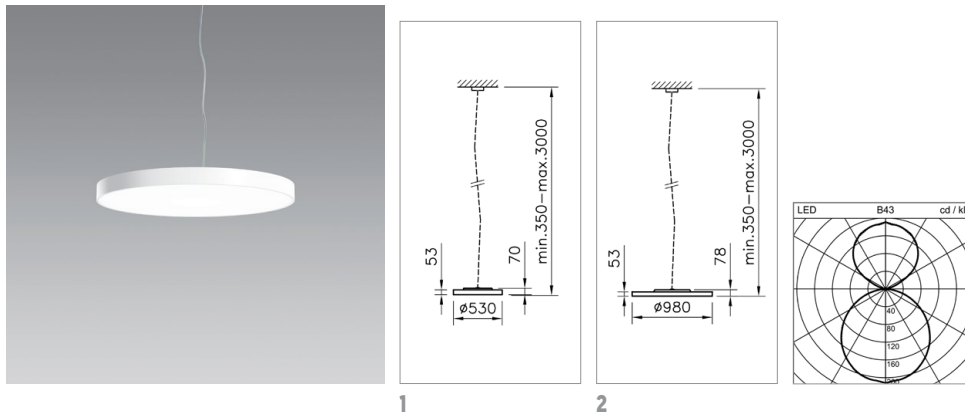
- Office & Education:** classrooms, meeting rooms, offices, cafeterias, foyers and lobbies, corridors, staircases
- Retail & Hospitality:** hotels, reception areas, circulation zones





PENDANT LUMINAIRE SOLO SLIM OFFICE C-LED

Diameter	System power	Luminous flux of luminaire	Colour	Colour temperature	Light control	Notes	Ref. n°
530 mm	21 W	3350 lm	white	4000 K			1 1021.7258
530 mm	21 W	3100 lm	white	3000 K			1 1021.7256
530 mm	21 W	3350 lm	silver	4000 K			1 1021.7063
530 mm	21 W	3100 lm	silver	3000 K			1 1021.7061
530 mm	43 W	6600 lm	white	4000 K			1 1021.7263
530 mm	43 W	6100 lm	white	3000 K			1 1021.7261
530 mm	43 W	6600 lm	silver	4000 K			1 1021.7068
530 mm	43 W	6100 lm	silver	3000 K			1 1021.7066
530 mm	54 W	7800 lm	white	2700 – 6500 K	MyLights Remote	MyLights Tunable	1 1021.7259
530 mm	54 W	7800 lm	silver	2700 – 6500 K	MyLights Remote	MyLights Tunable	1 1021.7064
980 mm	49 W	8400 lm	white	4000 K			2 1021.7267
980 mm	49 W	7800 lm	white	3000 K			2 1021.7265
980 mm	49 W	8400 lm	silver	4000 K			2 1021.7072
980 mm	49 W	7800 lm	silver	3000 K			2 1021.7070
980 mm	101 W	16'100 lm	white	4000 K			2 1021.7271
980 mm	101 W	14'900 lm	white	3000 K			2 1021.7269
980 mm	101 W	16'100 lm	silver	4000 K			2 1021.7076
980 mm	101 W	14'900 lm	silver	3000 K			2 1021.7074



PENDANT LUMINAIRE SOLO SLIM OFFICE C-LED

Mounting kit for pendant suspension to be ordered separately

Diameter	System power	Luminous flux of luminaire	Colour	Colour temperature	Light control	Notes	Ref. n°
530 mm	21 W	3350 lm	white	4000 K			1 2004.4262
530 mm	21 W	3100 lm	white	3000 K			1 2004.4261
530 mm	21 W	3350 lm	silver	4000 K			1 2004.4244
530 mm	21 W	3100 lm	silver	3000 K			1 2004.4243
530 mm	43 W	6600 lm	white	4000 K			1 2004.4265
530 mm	43 W	6100 lm	white	3000 K			1 2004.4264
530 mm	43 W	6600 lm	silver	4000 K			1 2004.4247
530 mm	43 W	6100 lm	silver	3000 K			1 2004.4246
530 mm	54 W	7800 lm	white	2700 – 6500 K	MyLights Remote	MyLights Tunable	1 2004.4263
530 mm	54 W	7800 lm	silver	2700 – 6500 K	MyLights Remote	MyLights Tunable	1 2004.4245
980 mm	49 W	8400 lm	white	4000 K			2 2004.4267
980 mm	49 W	7800 lm	white	3000 K			2 2004.4266
980 mm	49 W	8400 lm	silver	4000 K			2 2004.4249
980 mm	49 W	7800 lm	silver	3000 K			2 2004.4248
980 mm	101 W	16'100 lm	white	4000 K			2 2004.4269
980 mm	101 W	14'900 lm	white	3000 K			2 2004.4268
980 mm	101 W	16'100 lm	silver	4000 K			2 2004.4251
980 mm	101 W	14'900 lm	silver	3000 K			2 2004.4250
980 mm	101 W	14'900 lm	silver	3000 K			2 1021.7074



MOUNTING SET SOLO

3 SUSPENSION CABLES PER MOUNTING POINT

for pendant mounting, without cable, $L_{max} = 3$ m, can be shortened on site

Notes	Ref. n°
3000 m	1000.3196



MOUNTING SET SOLO

WITH THREE MOUNTING POINTS

for pendant mounting, without cable, $L_{max} = 3$ m, can be shortened on site

Notes	Ref. n°
3000 m	1000.3193



CABLE SET SOLO SLIM LED

For pendant tube mounting, $L = 3$ m, can be shortened on site

Notes	Ref. n°
white	2004.7200
silver	2004.7198