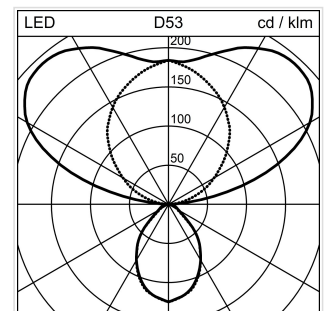
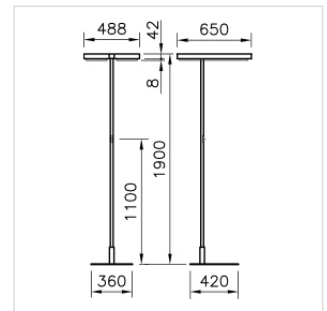


Level Office

Freestanding luminaire

2001.8932

LEVEL S2F1900 LED11300-840-21 WH 1IF SEDID EU



System power	76 W
Light control	SensoDimDigital®
Colour temperature	4000 K neutral white
Colour / Finish	white
Luminous flux of luminaire	11300 lm
Weight	24.626 kg
Colour consistency SDCM	SDCM 3
Unified Glare Rating (UGR)	10
C0	
Colour Rendering Index (CRI)	CRI > 80
Unified Glare Rating (UGR)	10
C90	
Maintained luminous flux	L80 50'000 h

Freestanding luminaire Level Office white, twin head, with LED, system power: 76 W, standby power 0.5 W, luminous flux of luminaire 11300 lm, colour rendering index CRI > 80, colour temperature 4000 K, neutral white, colour tolerances SDCM 3, lifetime LED L80 50'000 h, office-compatible and glare-free according to EN 12464-1 (UGR < 19; Lmax >= 65° <= 3000 cd/m²), Photobiological safety: Safe., 230 V, direct-indirect light emission, (21%/79%), with 1 control element, luminaire head 350° adjustable, frame in aluminium, RAL 9016, office-suitable microprismatic CLD optics (Controlled Luminance Diffusor) for perfect glare control, 1 integral control gear, SensoDimDigital®, with light/movement sensor, base plate, full mould, 3m power supply cable with IEC 7/7 european plug,

protection class I, ingress protection IP20, glow wire test 650 °C, this product contains a light source of energy efficiency class C and EPREL registration number: 1140598

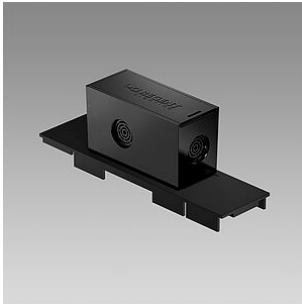
L = 650 mm, B = 488 mm, total height = 1900 mm

Datasheet : Accessories

Level Office - Freestanding luminaire

2001.8932

LEVEL S2F1900 LED11300-840-21 WH 1IF SEDID EU



2002.5778

ALONE at WORK

Communication module ALONE at WORK for freestanding uplighter LevelIP20L = 145 mm,
B = 39 mm, H = 42 mm